

FIXED LOUVERS

UPO-150
WITH CLIP

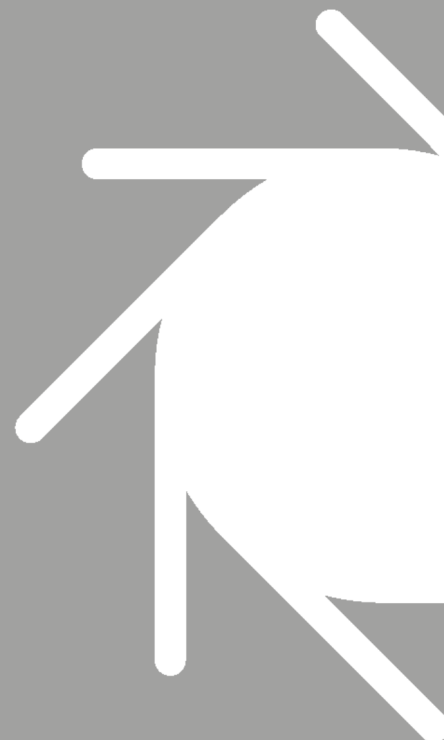


UMBELCO

PROTECCIÓN SOLAR DE EDIFICIOS

PROTEGE
FUNCIONA
EMBELLECE
RESISTE

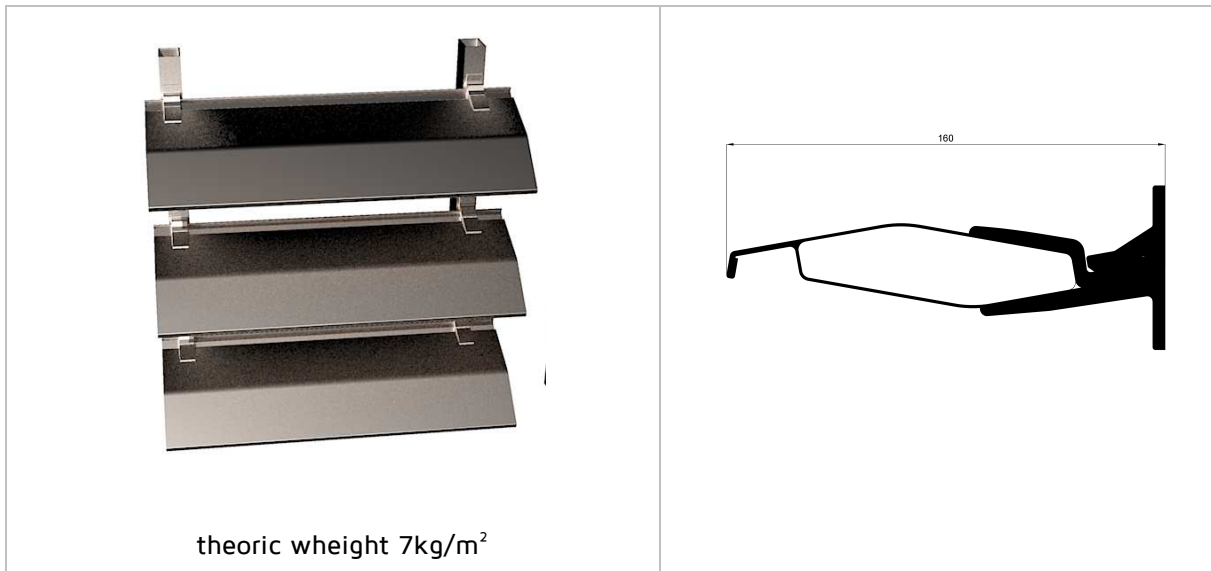
www.umbelco.com



UPO-150 WITH CLIP

This double side fixed-louver, with our clip-on system, is designed to meet the requirements that other products cannot. The combination of our high strength UPO-150 profiles with the competitive advantage of our pin-free clip-on system, means the required distance between supports can be increased, thus solving the problems caused by expansion as well as unifying the final appearance, both from inside and outside of the buildings.

They are available in 3 angles (45°, 60° and 90°), and the clips can be attached to any kind of tubular support. They can be provided in 2-colour-slats or perforated blades as optional and can be used in both horizontal or vertical positions. In short, it is a high tech product line, designed to satisfy the most demanding aesthetic criteria.



PROJECT DESCRIPTION

UMBELCO fixed louvers model UPO-150 with clips in 45° / 60° / 90° inclination composed by double-side blades, 154 mm wide and 30 mm thick, diamond shaped, made of pre-painted aluminium coils (COIL-COATING certified), high weather resistance tested by salted fog (more than 400 hours in WEISS SSC 450 chamber). Polyamide end caps (nylon) with high resistance aluminium clips and supported by extruded aluminium frame, anodised or painted.

UMBELCO

Pol. Las Norias.Avda. Valencia, parcela nº 6
50.450 Muel-Zaragoza (SPAIN)
Tel: +34 976 14 52 56 Fax: +34 976 14 52 57
umbelco@umbelco.com
<http://www.umbelco.com>



Sistema de
Gestión
ISO 9001:2015
ISO 14001:2015

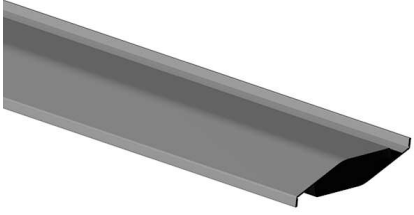
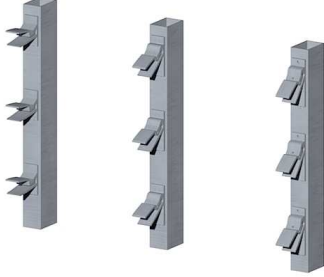


www.tuv.com
ID 9105081807

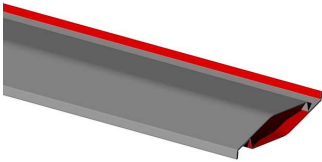
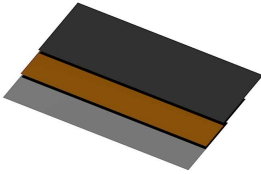
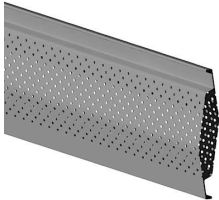
UPO-150 WITH CLIP

PARTS

Componentes de calidad que garantizan una durabilidad y resistencia de primer orden.

| | |
|---|---|
|  |  |
| Aluminium blade | Extruded aluminium clips with 45°, 60° or 90° inclination, supported by extruded aluminium square brackets. |

SPECIAL SOLUTIONS AVAILABLE

| | | |
|---|---|---|
|  |  |  |
| Two colors blades (one per side) | Aluminium, zinc and copper blades as optional | Two sides perforations |

UMBELCO

Pol. Las Norias. Avda. Valencia, parcela nº 6
50.450 Muel-Zaragoza (SPAIN)
Tel: +34 976 14 52 56 Fax: +34 976 14 52 57
umbelco@umbelco.com
<http://www.umbelco.com>




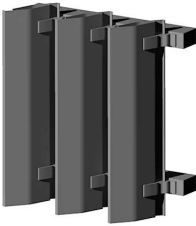
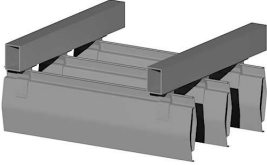

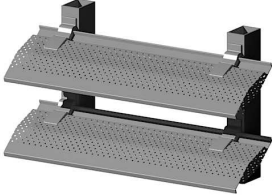


Sistema de
Gestión
ISO 9001:2015
ISO 14001:2015
www.tuv.com
ID 9105081807



UPO-150 WITH CLIP

Additional options

| | | |
|--|---|---|
|  |  |  |
| 45° horizontal louvers | 60° horizontal louvers | 90° horizontal louvers |
|  |  |  |
| Vertical louvers | Pergola | Upside down position |
|  | Additional possibilities please contact us. | |
| Perforated slats | | |

Standard colours

RAL 9010 white and RAL 9006 silver, others please confirm.

UMBELCO

Pol. Las Norias.Avda. Valencia, parcela nº 6
50.450 Muel-Zaragoza (SPAIN)
Tel: +34 976 14 52 56 Fax: +34 976 14 52 57
umbelco@umbelco.com
<http://www.umbelco.com>



Sistema de
Gestión
ISO 9001:2015
ISO 14001:2015



www.tuv.com
ID 9105081807

UPO-150 WITH CLIP

Certificate

Standard **ISO 9001:2015**

Certificate Registr. No. 0.04.14363

TÜV Rheinland Ibérica Inspection, Certification & Testing S.A.
certifies:

Certificate Owner:



UMBELCO, S.L.
Poligono Industrial Las Norias
Avenida Valencia, 6
50450 Muel (Zaragoza)
Spain

Scope:

Design, production and assembly of solar protection for construction.

An audit was performed, Report No. 0.04.14363
Proof has been furnished that the requirements
according to ISO 9001:2015 are fulfilled.

Validity:

The due date for all future audits is 12-31 (mm - dd).
The certificate is valid from 2018-07-12 until 2021-02-12.
First certification: 2009.
Date re-certification audit: 2018-04-12.
Expiry date of last cycle: 2018-02-12.

2018-07-12 TÜV Rheinland Ibérica Inspection, Certification & Testing S.A.
Garroxa, 10-12 - E-08820 El Prat de Llobregat

10201 10.17.E.04 © TÜV, TÜV and TÜV are registered trademarks. Utilization and application requires prior approval

www.tuv.com



TÜVRheinland®
Precisely Right.

UMBELCO

Pol. Las Norias.Avda. Valencia, parcela nº 6
50.450 Muel-Zaragoza (SPAIN)
Tel: +34 976 14 52 56 Fax: +34 976 14 52 57
umbelco@umbelco.com
<http://www.umbelco.com>



Sistema de
Gestión
ISO 9001:2015
ISO 14001:2015
www.tuv.com
ID 9105081807



UPO-150 WITH CLIP

Certificate

Standard **ISO 14001:2015**

Certificate Registr. No. 3.00.14122

TÜV Rheinland Ibérica Inspection, Certification & Testing S.A.
certifies:

Certificate Owner:



UMBELCO, S.L.
Polígono Industrial Las Norias
Avenida Valencia, 6
50450 Muel (Zaragoza)
Spain

Scope:

Design, production and assembly of solar protection for construction.

An audit was performed, Report No. 3.00.14122
Proof has been furnished that the requirements
according to ISO 14001:2015 are fulfilled.

Validity:

The due date for all future audits is 12-31 (mm - dd).

The certificate is valid from 2018-07-12 until 2021-02-12.

First certification: 2009.

Date re-certification audit: 2018-04-16.

Expiry date of last cycle: 2018-02-12.

2018-07-12 TÜV Rheinland Ibérica Inspection, Certification & Testing S.A.
Garroba, 10-12 – E-08820 El Prat de Llobregat

102001: 10.17E Ad © TÜV, TÜV and TUV are registered trademarks. Utilization and application requires prior approval.

www.tuv.com



TÜVRheinland®
Precisely Right.

UMBELCO

Pol. Las Norias.Avda. Valencia, parcela nº 6
50.450 Muel-Zaragoza (SPAIN)

Tel: +34 976 14 52 56

Fax: +34 976 14 52 57

umbelco@umbelco.com

<http://www.umbelco.com>



Sistema de
Gestión
ISO 9001:2015
ISO 14001:2015



www.tuv.com
ID 9105081807

UPO-150 WITH CLIP

MARCADO CE



DECLARACIÓN DE CONFORMIDAD

UMBELCO, S.L.
Pol. Las Norias. Avda. Valencia, parcela nº 6
50.450 MUEL (Zaragoza)

Declara bajo su exclusiva responsabilidad la conformidad del producto:

UPO-150 CON PINZAS

al que se refiere esta declaración, con las disposiciones del Reglamento de Productos de Construcción (UE) Nº 305/2011 que sustituye a la la Directiva 89/106/CEE (derogada el 1 de julio de 2013), para lo cual se han seguido las normas siguientes:

UNE-EN 1932:2014
UNE-EN 14501:2006
UNE-EN 12216:2002
UNE-EN 13125:2001

En Zaragoza a 11 de julio de 2008

Fdo. Daniel Morillo
D. Gerente

UMBELCO

Pol. Las Norias. Avda. Valencia, parcela nº 6
50.450 Muel-Zaragoza (SPAIN)
Tel: +34 976 14 52 56 Fax: +34 976 14 52 57
umbelco@umbelco.com
<http://www.umbelco.com>



Sistema de
Gestión
ISO 9001:2015
ISO 14001:2015



www.tuv.com
ID 9105081807



Pol. Las Norias.Avda. Valencia, parcela nº 6
50.450 Muel - Zaragoza (Spain)

Tel: +34 976 14 52 56

Fax: +34 976 14 52 57

umbelco@umbelco.com

<http://www.umbelco.com>